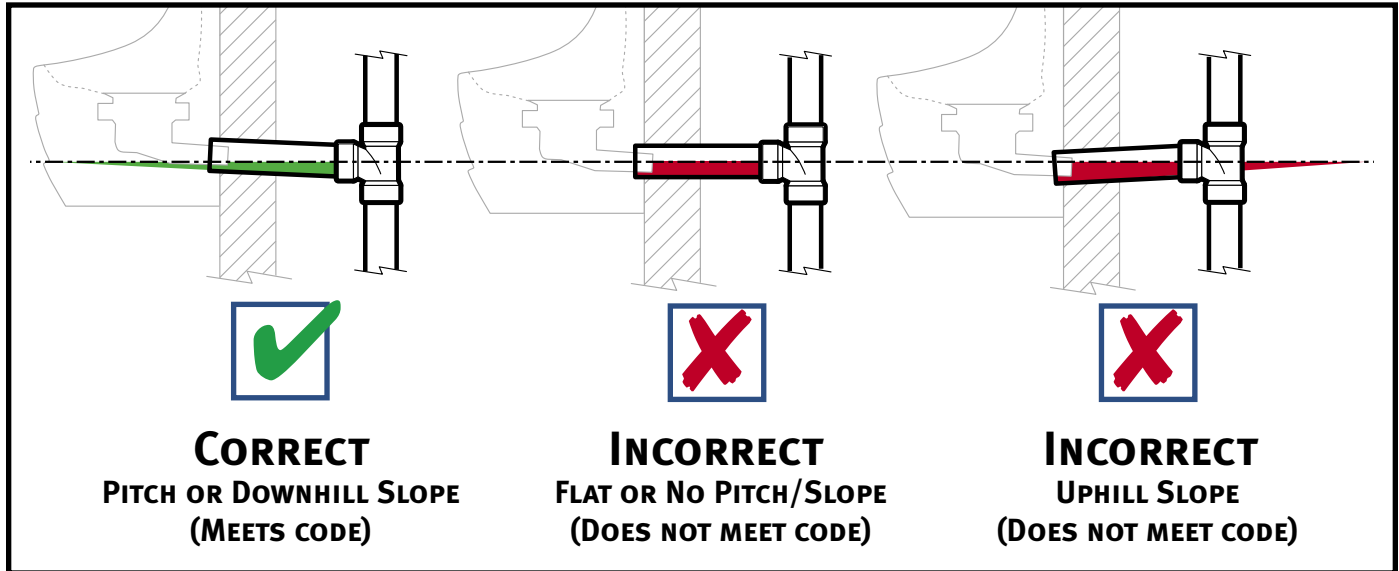


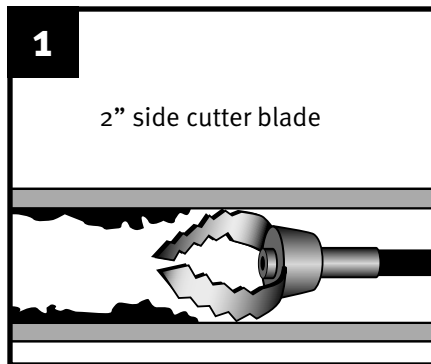
# CHECKING AND ADJUSTING PITCH/SLOPE IN PIPE NIPPLES AND HORIZONTAL DRAIN LINES

## IPC AND UPC REQUIREMENT

2" pipe requires a minimum fall (slope) of 1/4" per foot (2% grade)



## CHECKING DRAIN LINE PITCH/SLOPE



**IMPORTANT:** Use a drain machine to remove build-up inside pipes. Clean 25-35 feet deep then flush with water to remove cutting debris.



Clean face of existing wall flange then install the brass flange with the clear inspection disc. Slowly pour water into the drain.

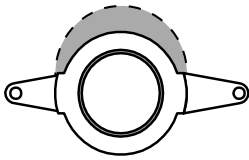


Use a flashlight to check pitch/slope. There should be no water present in the inspection disc or nipple. If pitch is OK, remove the inspection disc and continue with urinal installation. ***If the pitch needs to be adjusted, see the next page.***

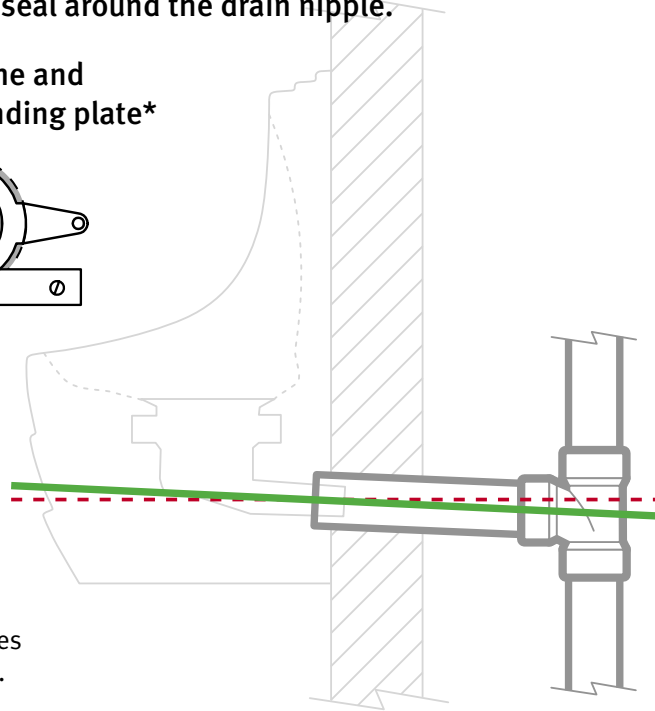
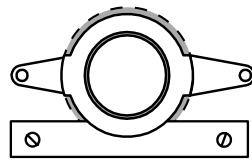
## **TO ADJUST PITCH/SLOPE**

- 1) If necessary, cut away a small area of the wall above nipple.
- 2) Raise the nipple enough to achieve proper pitch, then brace with a mending plate\*.
- 3) Re-check for pitch/slope to verify if the adjustment is sufficient.
- 4) Use a building code approved caulking to seal around the drain nipple.

Cut away wall



Lift drain line and brace with a mending plate\*



\* Mending plates are a common solution for bracing drain lines. You should use whatever method provides the best and most stable results for your application.



Falcon Waterfree Technologies, LLC  
1593 Galbraith Avenue SE • Grand Rapids, MI 49546  
Tel: 866.275.3718 (toll-free) • Fax: 616.954.3579 • [info@falconwaterfree.com](mailto:info@falconwaterfree.com)

[www.falconwaterfree.com](http://www.falconwaterfree.com)