

CLEMATIS

WATERFREE URINAL
VITREOUS CHINA



FALCON
WATERFREE TECHNOLOGIES



Patented, sealed cartridge uses a biodegradable sealant liquid to control odors. 100% compatible with all Falcon Waterfree urinals, worldwide



Falcon Waterfree urinals reduce water and sewer costs, maintenance and repair bills, and create more hygienic, odour-free restrooms. A patented, sealed cartridge eliminates the need for water, conserving an average of 150.000 Liters per urinal each year.

With waterfree urinals, water does not have to be pumped to or from the urinal. This saves energy, which in turn reduces carbon dioxide emissions associated with energy production - emissions that would otherwise contribute to global warming.

Purchasing and installing Falcon Waterfree urinals is less expensive than manual and automatic flush units because flush valves and associated piping are not required. Maintenance costs and vandalism problems associated with flush valves are also eliminated.

FEATURES

- Touch-free operation
- Uses no water
- Mechanical-free design
- Patented, sealed locking cartridge
- Maintenance-free cartridge
- Smooth, non-porous surfaces
- Vitreous china bowl

BENEFITS

- Improved hygiene and safety
- Reduced water and sewer costs
- No costly flush valve or sensor repairs
- Odour-free and vandal proof
- No need to replenish sealant between changes
- Minimal care and easy cleaning
- Unsurpassed durability

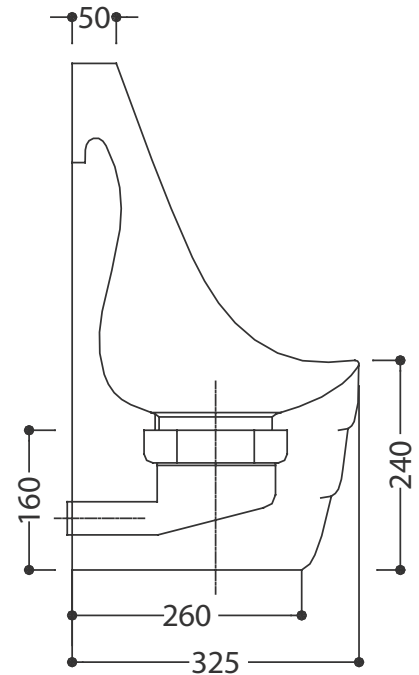
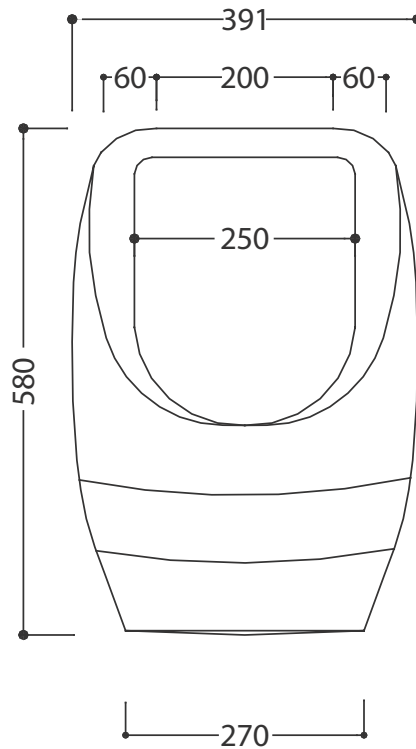


REPLACEMENT CARTRIDGE KITS INCLUDE

- Sealed cartridge
- Diverter shield
- Plastic installation key
- Pre-measured liquid sealant pack
- Disposal bag
- Plastic gloves
- Instruction sheet

ALSO AVAILABLE

- Installation hardware
- Drain line couplings



These dimensions are for informational purposes only. For specific rough-in dimensions, please refer to specification sheets available on our web site or contact us directly.



Falcon Waterfree Technologies, LLC
International Headquarters
10900 Wilshire Blvd., 15th Floor
Los Angeles, CA 90004
Tel: 310.209.7250
Fax: 310.209.7260
Hours: 8-5 Pacific
world@falconwaterfree.com

www.falconwaterfree.com